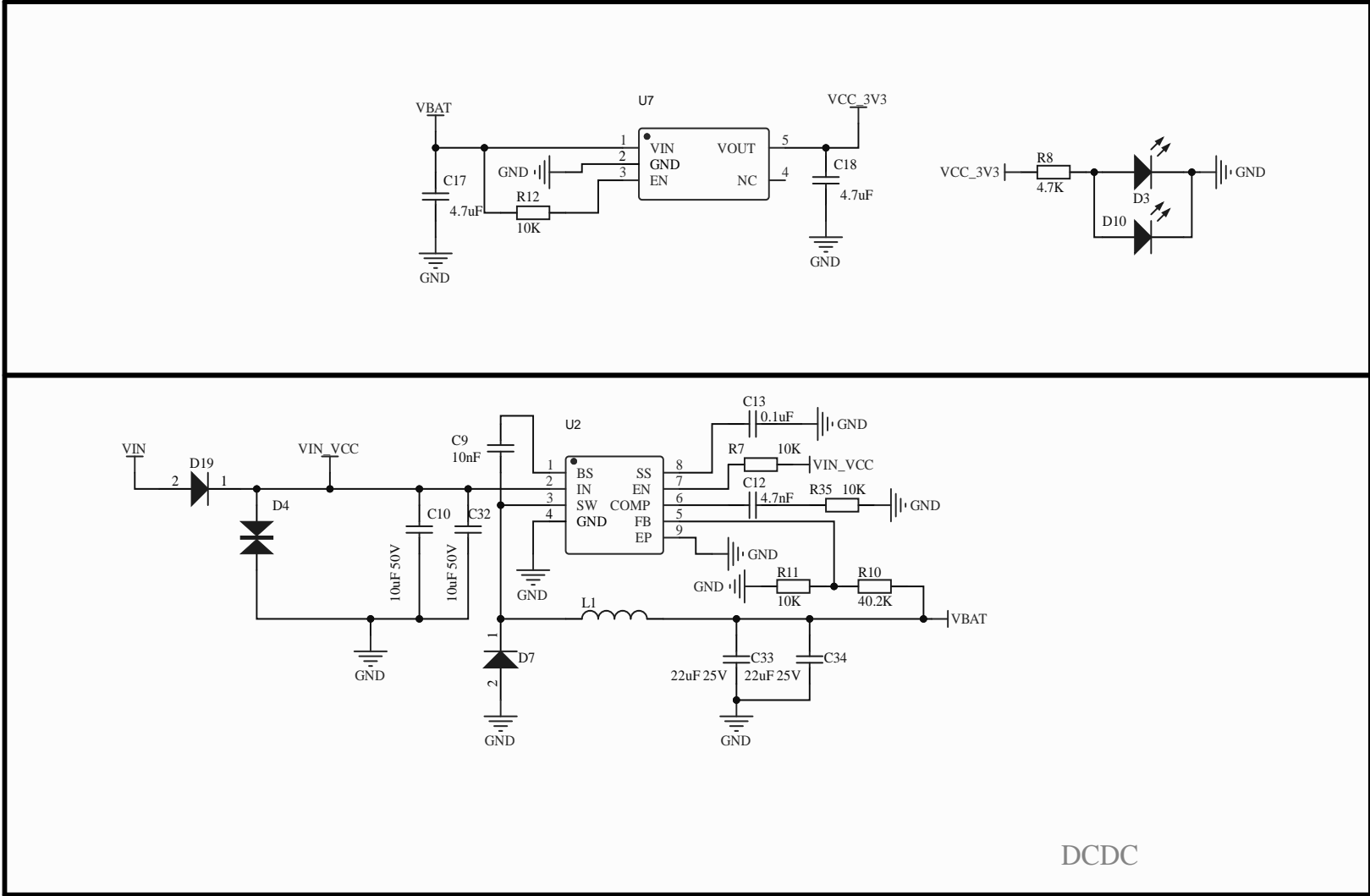
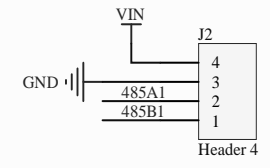
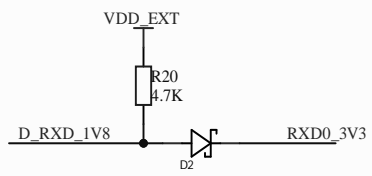
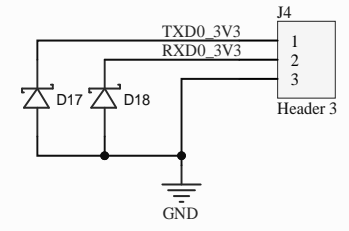
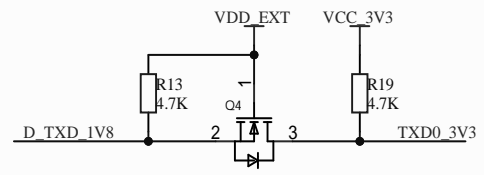
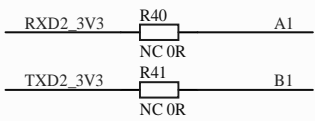
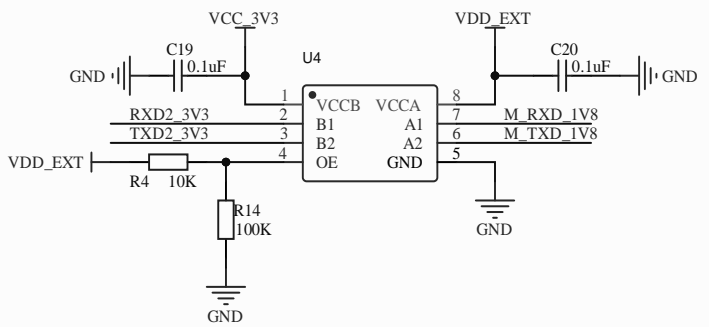


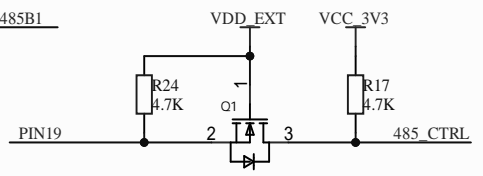
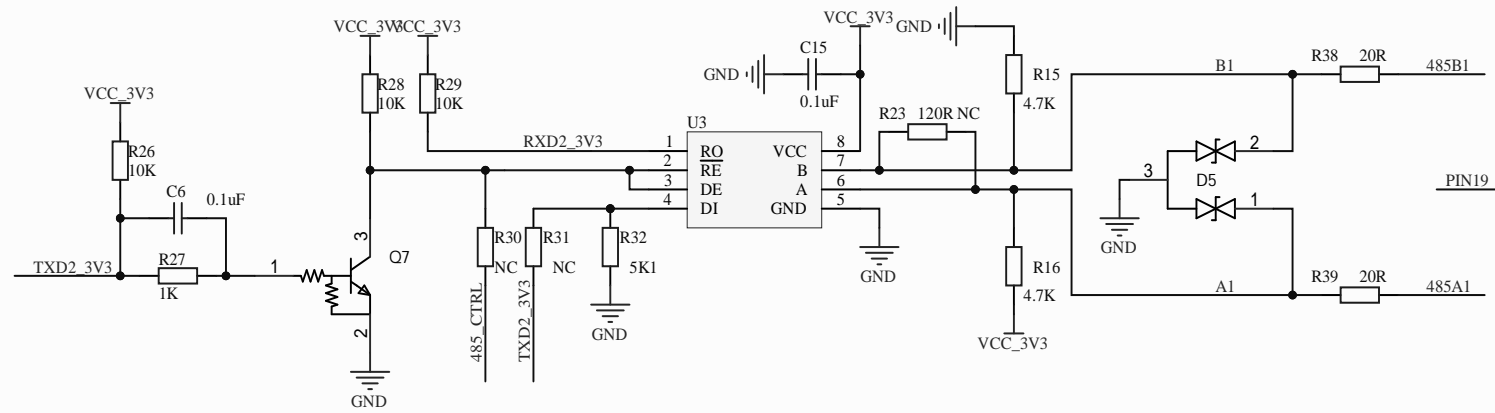
Title		
Size A3	Number	Revision
Date: 11/22/2024	Sheet of	
File: E:\项目1\EC800X.SchDoc	Drawn By:	



Title		
Size	Number	Revision
A4		
Date:	11/22/2024	Sheet of
File:	F:\项目 \POWER.SchDoc	Drawn By:

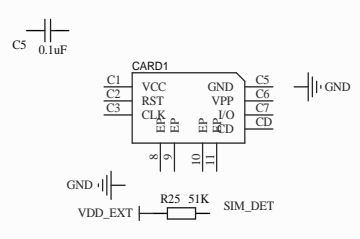
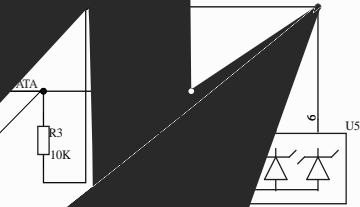
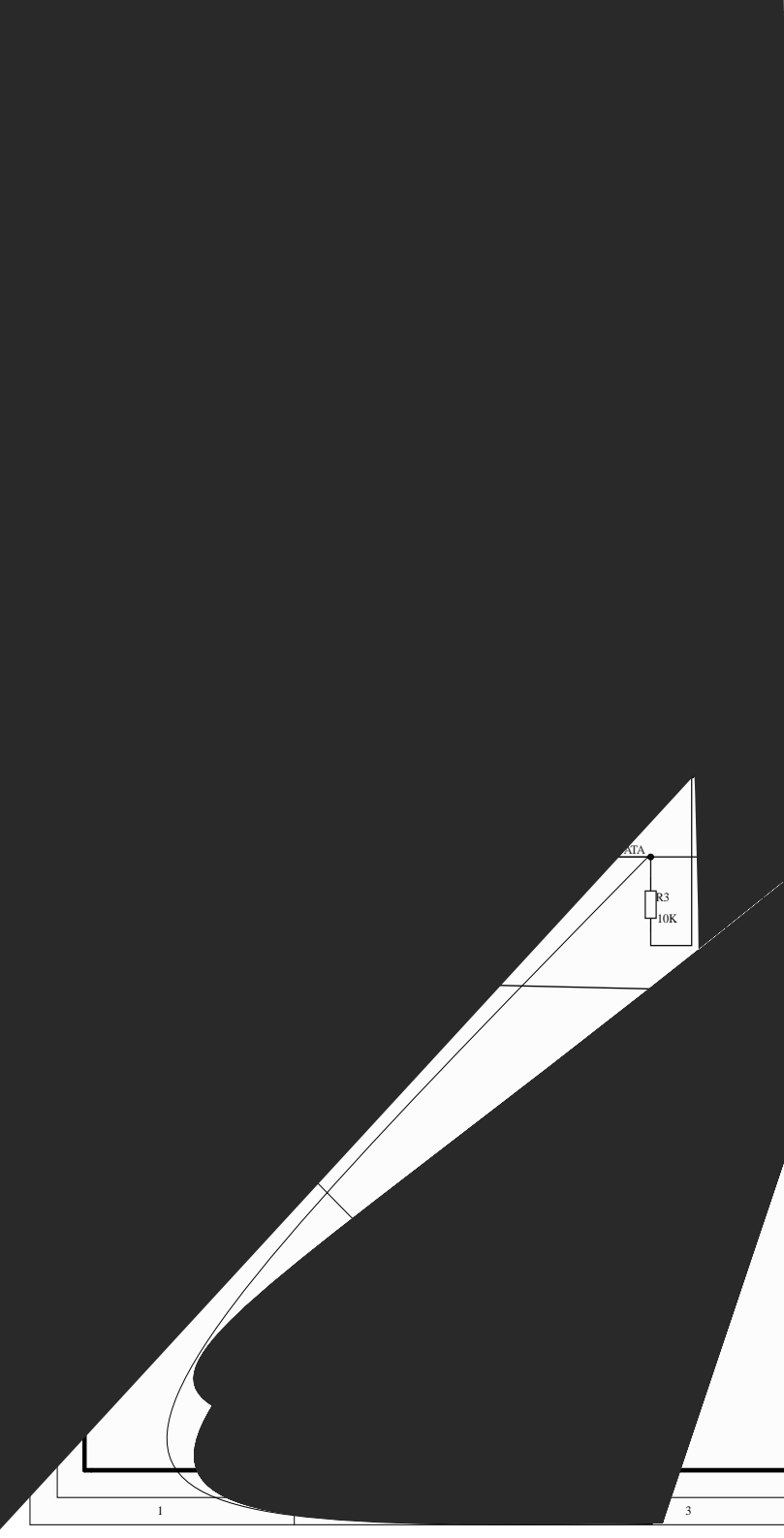


### 电平转换



### RS485

Title		
Size	Number	Revision
A4		
Date:	11/22/2024	Sheet of
File:	F:\项目\...\RS3485.SchDoc	Drawn By:



NANO SIM

Title		
Size	Number	Revision
A3		
Date:	11/22/2024	Sheet of
File:	F:\项目1\NANO SIMCARD.SchDoc	Drawn By: